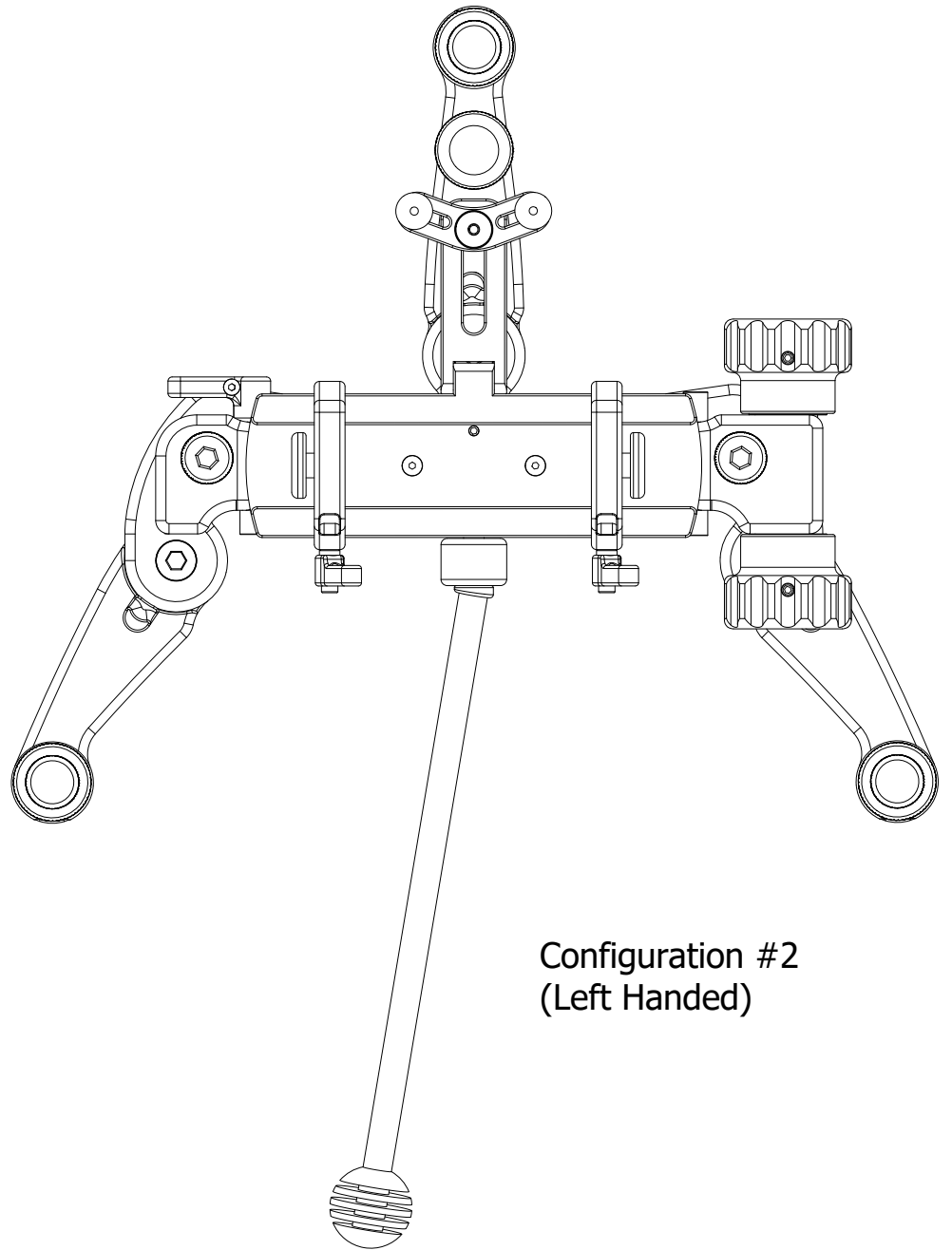
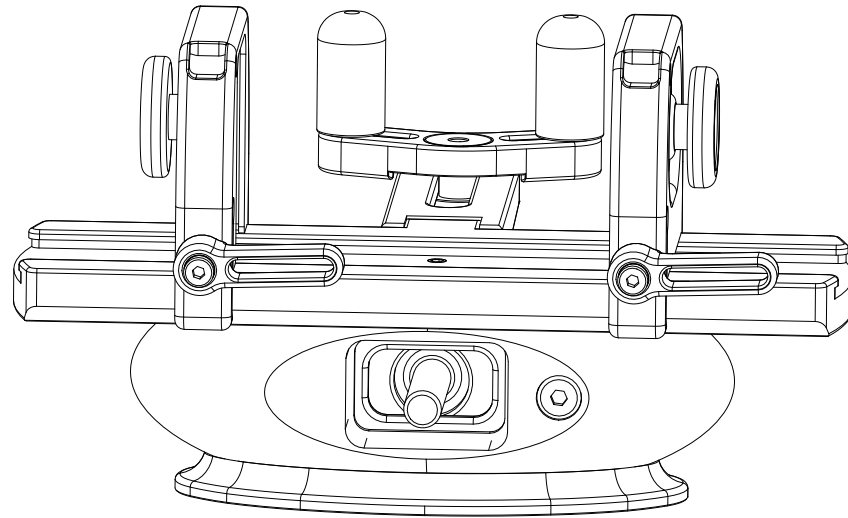


Configuration #1  
(Standard)

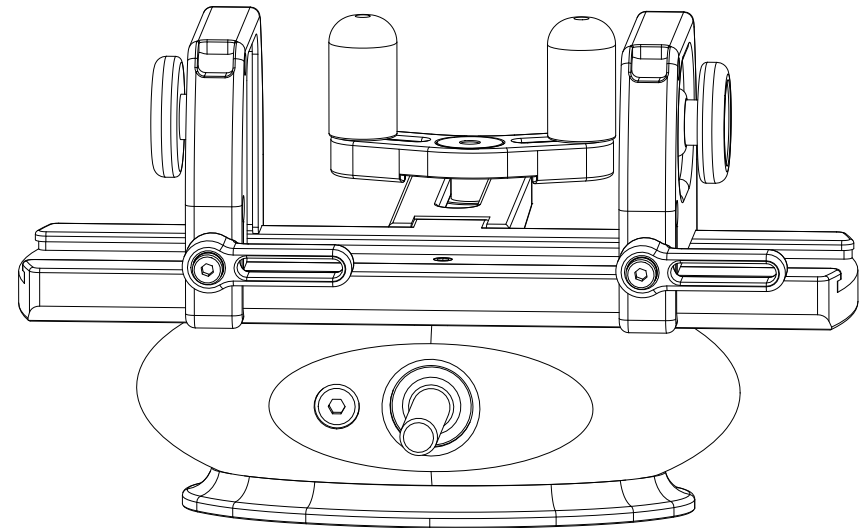


Configuration #2  
(Left Handed)





Normal Mode  
Up for Up, Down for Down



Reverse Mode  
Down for Up, Up for Down

MATERIAL	Date